



# PUBLIC NOTICE

## Cloncurry Lawn Cemetery – Portion 2 Installation of Concrete Beams and Plinths

Cloncurry Shire Council wishes to advise that construction and installation works of concrete beams and plinths in Portion 2 of the Cloncurry Lawn Cemetery will **commence on Monday, 7 October 2024**.

### Project Details

Council will be constructing and installing concrete beams and plinths in Portion 2 of the Cloncurry Lawn Cemetery (see Figure 1).

Portion 2 of the lawn cemetery, like all cemeteries, has had subsidence issues which has caused footstones and plaques to move from their original alignment making the cemetery look untidy. The new concrete beams will help keep footstones level and stable, improving the presentation of the cemetery as well as increasing the efficiency and effectiveness of cemetery maintenance.

	Key Dates	Locations	Details
<b>COMMUNITY CATCH UP</b>	10am – 11am 28 SEPT 2024	Cloncurry Community Precinct Courtyard	Catch up with Council’s CEO and project managers about the installation of concrete beams and plinths in Portion 2 of the Cloncurry Lawn Cemetery.
<b>PROJECT WORKS</b>	7 OCT 2024 – 29 NOV 2024	Cloncurry Lawn Cemetery	The Cloncurry Lawn Cemetery will be closed to the public for the duration of the works.  Access will be granted under special circumstances (e.g., funeral services). Please contact Cloncurry Shire Council about access requests.

To enable the construction of the concrete beams, existing plinths and attached plaques will be carefully recorded, removed and stored prior to the replacement of the new beams.

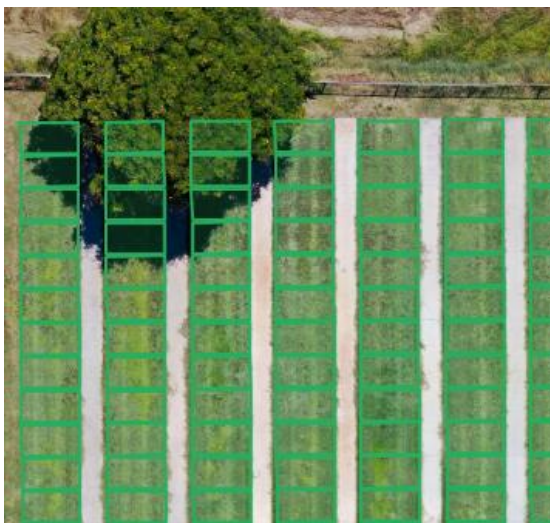


Figure 1: Image 1 is a photo of Portion 3.

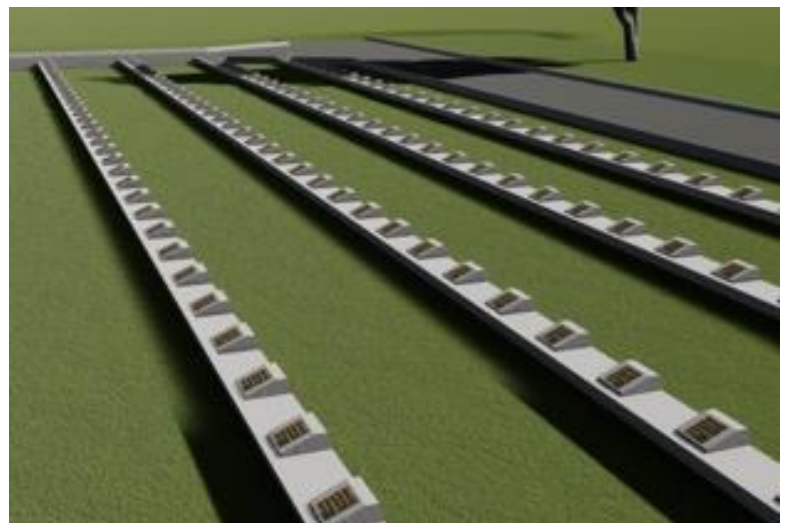


Image 2 is an indicative design of Portion 2.

### **Cloncurry Shire Council**

ABN: 76 581 540 914  
38-46 Daintree Street, Cloncurry 4824  
PO Box 3, Cloncurry QLD 4824

**Phone** 07 4742 4100  
**Fax** 07 4742 1712  
**Email** council@cloncurry.qld.gov.au  
**Web** cloncurry.qld.gov.au

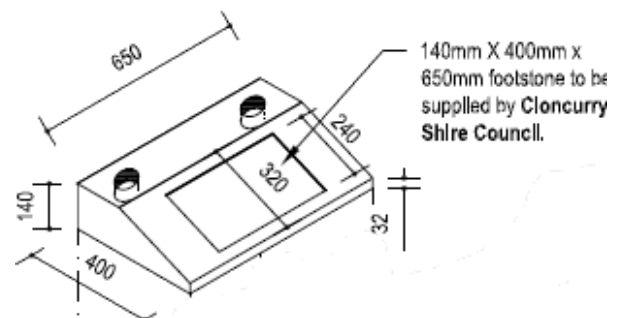
## **Footstone & Plaque Placement**

Council has recently completed extensive mapping of the Cloncurry Lawn Cemetery, including survey and GIS mapping of all grave sites and footstones. This mapping work was a prerequisite for this project to ensure correct positioning of concrete beams and correct replacement of footstones and plaques once the beams have been installed.

Contractors have been instructed to carefully store footstones and plaques while each beam is constructed. Council will work with the contractors to ensure footstones are replaced in accordance with the details of the cemetery register, and Council survey and mapping.

Already inclined footstones will be placed directly onto the beams. Flat footstones will have their plaques placed onto inclined plinths. Each inclined plinth will have fixtures for flowers, see Figure 2.

Every effort will be made to ensure plaques are not damaged in this process. However, Council has committed to fund any plaques damaged during this process. The next of kin, listed on the burial record, will be contacted directly in the unlikely event that any damage is incurred.



*Figure 2: Design of plinths that will be placed on the concrete beams. As pictured, there will be fixtures for holding flowers.*

## **Site Preparation – Removal of Non-Conforming Tributes**

Persons with burial rights to graves with non-conforming tributes have been contacted and asked to remove the non-conforming items, to ensure contractors can start work on time. **Any non-conforming tributes that remain by the project start date (7 October 2024), will be carefully removed and stored for collection.** For information about conforming and non-conforming tributes, please see the Cloncurry Shire Council *Cemeteries Policy* which can be found on the Council website ([www.cloncurry.qld.gov.au/our-services/cemetery](http://www.cloncurry.qld.gov.au/our-services/cemetery)).

## **Site Re-Opening & Placement of Tributes on Beams / Plinths**

Council will release a public notice online to advise the reopening of the Cloncurry Lawn Cemetery, following the completion of the outlined project works.

Council appreciates your patience and understanding during this project. Should you have any questions or concerns in respect of this matter please contact Council on 0747424100 or [council@cloncurry.qld.gov.au](mailto:council@cloncurry.qld.gov.au)

Philip Keirle

**Chief Executive Officer**

10 September 2024